

# NAPOLEON

DIRECT VENT FIREPLACES  
[napoleonfireplaces.com](http://napoleonfireplaces.com)



# Whether you follow your head or your heart, you'll still end up with a Napoleon.

## Fireplaces

STARfire™ 40 - HDX40-1.....	4 - 5
STARfire™ 52 - HDX52 .....	6 - 7
Vector™ 45 - LHD45.....	8 - 9
Vector™ 62 - LHD62.....	10 - 11
High Definition 35, 40 & 46 - HD35, HD40, HD46 .....	12 - 13
High Definition 81 - HD81 .....	14 - 15
Torch™ - GT8.....	16 - 17
Vittoria™ - GD19 .....	18 - 19
Park Avenue™ - GD82T-PAE .....	20 - 21
Tureen™ - GD82T-TE.....	22 - 23
Plazmafire™ 31 - WHD31 .....	24 - 25
Crystallo™ - BGD36CFG .....	26 - 27
Napoleon's Outstanding Features .....	28 - 29
Detailed Specifications & Line Drawings .....	30 - 35

\*To view the Ascent™ fireplace lineup (B30, B35, B42 and BHD4) please see the Ascent™ Brochure : ADBR999



The STARfire™ 40 shown with premium scalloped steel door and Newport™ brick panels, see page 4 for more information



## Why Napoleon?

**Making your life easier...** Napoleon fireplaces are designed to provide you absolute comfort and control at the touch of your fingertips. It's that easy. When you install a Napoleon direct vent gas fireplace, you can rest assured that you will enjoy a lifetime of instant ambiance with reliable performance year after year.

**An investment you can count on...** Your new Napoleon fireplace adds value to your home while at the same time giving you uncompromising comfort. Aside from kitchen and bathroom renovations, fireplaces add the highest return on your home investment.

**Create your personal design statement...** Surround yourself with a home environment that makes you feel good, relaxed and proud to reflect your decorating style. Hundreds of designer options are available to create the exact statement you have been looking for.

**Highest efficiencies, maximum comfort...** Years of research, design and testing have enhanced optimum performance allowing many Napoleon products to achieve some of the highest heater rated efficiencies on the market. Napoleon continuously surpasses industry standards not only in appearance but in efficiency and performance. See the benefits of Zone Heating on page 32.

**Beautiful fires, best flame in the industry...** With advanced burner technology and innovative design, Napoleon's flame and exclusive PHAZER® log sets are so realistic it's hard to tell the difference from a real wood burning fire.

**No power? No problem!...** We all feel vulnerable when the power goes out. Now you can weather out the storm in the comfort of your own home! A Napoleon gas fireplace requires no electricity to light or operate, a built-in millivolt system or electronic ignition with battery back-up ensures reliability even during power failures.

**Authorized dealer support network...** With over 3,000 reputable authorized dealers across North America, Napoleon works hard to provide professional, consistent training and technical education to support our dedicated team of professionals.

**Outstanding reliable warranty...** Each and every Napoleon fireplace is designed and manufactured to strict quality testing standards and backed by the President's Limited Lifetime Warranty, guaranteed to give you the solid performance you deserve. Napoleon is registered under the world recognized ISO 9001-2008 quality system.



We are proud to be recognized as one of Canada's Best Managed Companies and are dedicated to providing quality, home comfort products for over 38 years and counting.

# STARfire™ 40

## Inspired Design

Created with Napoleon's state-of-the-art gas fireplace technology, the STARfire™ 40 offers the ultimate in performance and design. The clean face front allows a full view of the impressive 40" wide firebox with your choice of either fine detailed PHAZER® logs and charcoal embers or a river rock ember bed. The STARfire™ 40 comes complete with a modulating remote (controls heat, optional blower, exclusive NIGHT LIGHT), fuel saving electronic ignition with battery back-up and built-in flame/heat control making the STARfire™ 40 a perfect investment for your lifestyle and your home.

HDX40

Up to 40,000 BTU's

54% flame/heat adjustment

40 1/4" w x 41" h

Natural gas or propane

For more detailed specifications on this unit, see page 30



Four-Sided Frame



Premium Scalloped Steel Door

## Options & Accessories



Glass Media Enhancement Kits  
Five Colors Available



Remote Control  
(Standard)



Exclusive NIGHT LIGHT





The STARfire™ 40 shown with four-sided frame and MIRRO-FLAME™ porcelain reflective radiant panels



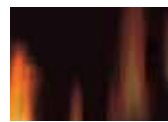
Decorative Sandstone  
Brick Panels



Mayan Desert™  
Sandstone Brick Panels



Newport™ Deluxe  
Decorative Brick Panels



MIRRO-FLAME™  
Porcelain Reflective  
Radiant Panels



Complete with  
Safety Barrier



River Rock Media Kits with Satin  
Chrome Decorative Fender  
Two Color Options\*



# STARfire™ 52

## Inspired Design

Created with Napoleon's state-of-the-art gas fireplace technology, the STARfire™ 52 offers a wide range of heat output and advanced burner technology that produces a massive concentrated flame that reaches high in the firebox creating a glowing ambiance throughout the interior. "Easy Slide™" door glides into place with kitchen drawer style door glides - a Patent Pending design. The realistic hand painted PHAZER® log set is rich in colour and detail. Napoleon's STARfire™ 52 is a one of a kind fireplace that you will be proud to show to family and friends! The perfect fit for great rooms and large family rooms or for anyone looking to make a statement in their home.

HDX52

Up to 55,000 BTU's

54% flame/heat adjustment

56 7/8" w x 54 13/16" h

Natural gas or propane

For more detailed specifications on this unit, see page 30

## Options & Accessories



Alternate Glass Media Kits & Glass Enhancement Kits  
Six Colors Available



Remote Control  
(Standard)



Two Exclusive NIGHT LIGHTS



Decorative Rectangular Surround - Wrought Iron



Decorative Arched Surround - Wrought Iron



Decorative Front  
\*Can also be added to surrounds above



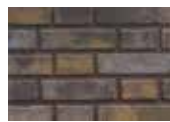
The STARfire™ 52 shown with Antique White Ledgerrock decorative brick panels



Antique White Ledgerrock  
Decorative Brick Panels



Custom Blend Ledgerrock  
Decorative Brick Panels



Newport® Deluxe  
Decorative Brick Panels



Herringbone Decorative  
Brick Panels



Black MIRRO-FLAME™  
Porcelain Reflective  
Radiant Panels



Cappuccino MIRRO-FLAME™  
Porcelain Reflective  
Radiant Panels



Platinum MIRRO-FLAME™  
Porcelain Reflective  
Radiant Panels



Complete with  
Safety Barrier



Fire Cradle Burner comes  
standard with Topaz  
CRYSTALINE™ ember bed



# Vector™ 45

## Sophisticated Fires

Napoleon's Vector™ 45 is a modern linear gas fireplace that offers a sophisticated, "widescreen" fire element in any room of your home. The Vector™ 45 comes standard with electronic ignition with battery back-up and Napoleon's exclusive Topaz CRYSTALINE™ ember bed that sparkles with a luxurious glow. To create a dramatic mix, optional river rocks, coloured glass, driftwood log set and designer fire art are available to replace or enhance the Topaz CRYSTALINE™ ember bed.

LHD45

24,000 BTU's

51" w x 19 1/2" h

Natural gas or propane

For more detailed specifications on this unit, see page 31

## Options & Accessories



Alternate Glass Media Kits & Glass Enhancement Kits  
Six Colors Available



Designer Fire Art  
Metal Coil Design



Designer Fire Art  
Nickel Stick Design



GEO Shapes  
Media Enhancement Kit



F45 & F60 Remote Controls  
On/off or modulating



Linear Frame - Grey



Deluxe 4-Sided Surround - Painted Gloss Black



Deluxe 4-Sided Surround - Painted Gloss White



Premium 4-Sided Surround - Brushed Stainless Steel



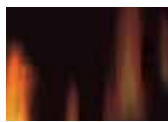
Basic 4-Sided Surround - Painted Flat Black







The Vector 45 shown with Linear Frame in grey and Topaz CRYSTALINE ember bed



MIRRO-FLAME  
Porcelain Reflective  
Radiant Panels



Complete with  
Safety Barrier



Driftwood Log Set  
(logs and six river  
rocks included)



River Rock Media Kits  
Two Colour Options\*



# Vector™ 62

## Effortlessly Integrates with Your Style

A dynamic 62" linear direct vent gas fireplace that can be installed in both residential or commercial applications. With various media enhancement kits and decorative options to choose from, the Vector™ 62 becomes a focal point in any room. The Vector™ 62 comes standard with a Topaz CRYSTALINE™ ember bed, remote control, MIRRO-FLAME™ Porcelain Reflective Radiant Panels and electronic ignition making it the perfect fireplace for lobbies, entranceways, hallways, bars, lounges, living rooms and more.

LHD62

Up to 50,000 BTU's

50% flame/heat adjustment

70" w x 22" h

Natural gas or propane

For more detailed specifications on this unit, see page 31



Premium 4-Sided Surround - Brushed Stainless Steel

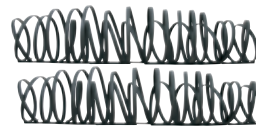


Deluxe 4-Sided Surround - Painted Glass Black

## Options & Accessories



Alternate Glass Media Kits & Glass Enhancement Kits  
Six Colors Available



Designer Fire Art  
Metal Coil Design

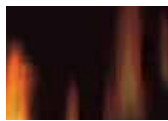


Remote Control  
(standard)





The Vector™ 62 shown with brushed stainless steel premium 4-sided surround and Topaz CRYSTALINE™ ember bed



MIRRO-FLAME  
Porcelain Reflective  
Radiant Panels



Decorative California  
Sun Fluted Brick Panels



Complete with  
Safety Barrier



Driftwood Log Set



Rock Kit



# High Definition 35, 40 & 46

Experience a New Dimension of Fire and Space

The clean face frame of the High Definition 35, 40 & 46 maximizes the viewing area so the realistic flames and PHAZER® log set are enjoyed to their fullest. Contemporary or traditional decorative accessories are available to complement any décor. These fireplaces are equipped with fuel saving electronic ignition with battery back-up and Napoleon's advanced burner technology. The simple yet sophisticated design of Napoleon's High Definition 35, 40 & 46 fireplaces provide every comfort a homeowner needs to create a relaxing environment. Perfect for any room in your home.

<b>HD35</b>	<b>HD40</b>	<b>HD46</b>
Up to 25,000 BTU's	Up to 27,000 BTU's	Up to 30,000 BTU's
43% flame/heat adjustment	43% flame/heat adjustment	43% flame/heat adjustment
35 1/4"w x 33 3/4"h	40 1/4"w x 33 3/4"h	46 1/4"w x 33 3/4"h
Natural gas or propane	Natural gas or propane	Natural gas or propane

For more detailed specifications on these units, see page 32



The High Definition 35 shown with MIRRO-FLAME Panels



## Options & Accessories



Glass Media Enhancement Kits  
Five Colors Available



F45 & F60 Remote Controls  
On/off or Modulating



Andirons  
Painted Black Finish



GEO Shapes Media  
Enhancement Kit



The High Definition 40 shown with River Rock media kit, painted black andirons and MIRRO-FLAME Panels



The High Definition 46 shown with MIRRO-FLAME Panels



Decorative Sandstone  
Brick Panels



MIRRO-FLAME  
Porcelain Reflective  
Radiant Panels



Complete with  
Safety Barrier



River Rock Media Kits with Satin  
Chrome Decorative Fender  
Two Color Options\*



# High Definition 81

## Two Exceptional Views

The first See Thru fireplace in the industry to offer such dynamic choices for firebox design options. The High Definition 81 features Napoleon's exclusive NIGHT LIGHT™ that radiates a warm glow into the room(s) even when the fireplace is off and a split burner system that produces beautiful YELLOW DANCING FLAMES™. Besides supplying two rooms with exceptional focal points, the High Definition 81 also offers the choice of a traditional PHAZER® log set, a modern CRYSTALINE™ ember bed or a glowing river rock setting. One fireplace, two rooms, exceptional views!

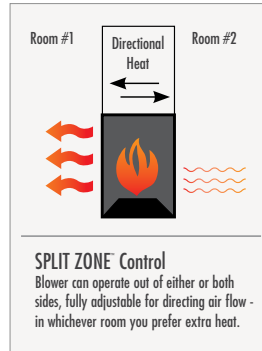
HD81

Up to 60,000 BTU's

72% flame/heat adjustment

40 3/8" w x 34 1/4" h

Natural Gas or propane

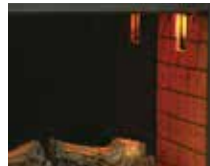


For more detailed specifications on these units, see page 33

## Options & Accessories



Alternate Glass Media Kits & Glass Enhancement Kits  
Six Colors Available



Exclusive NIGHT LIGHT



Andirons  
Painted Black Finish



Remote Control  
(Standard)



Black Trim



Brushed Nickel Faceplate



Brushed Copper Faceplate





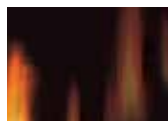
The High Definition 81 shown with log burner, Sandstone brick panels and black trim



The High Definition 81 shown with glass burner, MIRRO-FLAME Panels and brushed nickel faceplate



Decorative Sandstone Brick Panels



MIRRO-FLAME Porcelain Reflective Radiant Panels



Complete with Safety Barrier



Glass Burner comes standard with Topaz CRYSTALLINE emberbed



River Rock Media Burner



PHAZER Logset Burner



# Torch™

## Modern Simplicity

Napoleon's Torch™ is an ultra modern direct vent gas fireplace with a slim design featuring a reflective, prism shaped firebox. The simplicity of the single luminous flame glows with artistic character. The perfect accent for bedrooms, bathrooms, kitchens, entranceways, hallways, offices, bars, lounges and waiting rooms. Versatile installations make the Torch™ ideal for new construction and renovation projects, especially where space is limited.

GT8

6,000 BTU's

15" w x 49 1/4" h

Natural gas or propane

For more detailed specifications on this unit, see page 33

## Options & Accessories



LED Accent Light Kit  
Four Lights Included



Adjustable Mounting Cabinets  
Two Colour Options



Push Button Auto Ignition



Painted Metallic Black Front



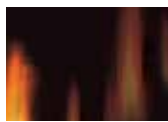
Brushed Stainless Steel Front







The Torch<sup>®</sup> shown with painted metallic black front



MIRRO-FLAME<sup>®</sup> Porcelain  
Reflective Radiant Panels  
(standard)

Complete with  
Safety Barrier



# Vittoria™

## Sleek, Tall and Slender

With its sleek, tall, slender design, the Vittoria™ gas fireplace easily installs into smaller wall applications... perfect for entranceways and corner wall installations. With the choice of a traditional log set and facing kits or a river rock setting and contemporary facing kits, the Vittoria™ offers two entirely different looks. The Vittoria™ features Napoleon's exclusive NIGHT LIGHT™, electronic ignition with battery back-up and heat radiating ceramic glass. Either choice, traditional or modern, the Vittoria™ is the perfect fireplace for smaller living spaces.

GD19

Up to 11,500 BTU's

45% flame/heat adjustment (natural gas model only)

21" w x 34 1/4" h

Natural gas or propane

For more detailed specifications on this unit, see page 34



Contemporary Facing Kit  
Painted Black



Contemporary Facing Kit  
Brushed Stainless Steel



Traditional Facing Kit  
Painted Metallic Black



Traditional Facing Kit  
Hammertone Pewter

## Options & Accessories



Ornamental Insets  
Painted Metallic Black Finish



River Rock Burner Assembly



Exclusive NIGHT LIGHT™



F45 & F60 Remote Controls  
On/off or Modulating





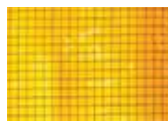
The Vittoria<sup>®</sup> shown with brushed stainless steel contemporary facing kit, River Rock burner assembly and MIRRO-FLAME<sup>®</sup> porcelain reflective radiant panels



Decorative Sandstone  
Brick/Stone Panels



MIRRO-FLAME<sup>®</sup>  
Porcelain Reflective  
Radiant Panels



Complete with  
Safety Barrier



# Park Avenue™

## European Styling

This tall, dark, handsome fireplace features a unique, clean design with advanced burner technology, creating the most realistic flames in the industry. The Park Avenue™ deluxe model is offered as a complete package including an exclusive NIGHT LIGHT™, heat circulating blower, multi-function remote control (controlling the flame, blower and NIGHT LIGHT™) and PHAZERAMIC™ advanced flame burner technology. Exclusive designer accessories make the Park Avenue™ perfect for any room in your home.

GD82T-PAE

Up to 26,000 BTU's

50% flame/heat adjustment

27 1/8" w x 34 3/8" h

Natural gas or propane

For more detailed specifications on this unit, see page 34

### Options & Accessories



Exclusive NIGHT LIGHT



Andirons  
Two Style Options\*



Remote Control  
(Standard)



Brushed Stainless Steel  
Surround & Hearth Kit



Arched Facing Kit  
Heritage Pattern



Rectangular Facing Kit  
Painted Black Finish

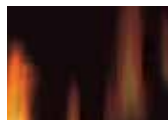




The Park Avenue™ shown with arched facing kit in painted black and Sandstone Herringbone decorative brick panels



Sandstone Herringbone  
Decorative Brick Panels



MIRRO-FLAME™  
Porcelain Reflective  
Radiant Panels



Complete with  
Safety Barrier



# Tureen™

## Style and Elegance

Combining style, modernism and elegance into one fireplace, the Tureen™ was the first in the Modern Collection of direct vent gas fireplaces. Napoleon's Tureen™ features a totally unique modern style, a heavy gauge Medallion™ burner system, an exclusive NIGHT LIGHT™, stylish river rocks and a remarkable towering flame. The contemporary ceramic bowl, decorative accessories and concave satin chrome reflective panel give the Tureen™ its impressive design, certain to create a dynamic and extraordinary focal point wherever it is installed.

GD82T-TE

Up to 26,000 BTU's

50% flame/heat adjustment

42 ¾" w x 66" h

Natural gas or propane

For more detailed specifications on this unit, see page 34

## Options & Accessories



Remote Control  
(standard)



Brushed Stainless Steel  
Surround & Hearth Kit



Arched Facing Kit  
Heritage Pattern



Rectangular Facing Kit  
Painted Black Finish





The Tureen™ shown with brushed stainless steel surround and hearth



Concave Polished Satin  
Chrome Reflective Panel  
(standard)



Complete with  
Safety Barrier



# Plazmafire™ 31

## Easy Installation

Ideal for modern and contemporary rooms, Napoleon's WHD31 Plazmafire™ features easy installation and all of the conveniences of a direct vent gas fireplace. Virtually endless installation possibilities and almost as easy as hanging a picture on the wall. With an impressive 30" x 15" viewing area, 20,000 BTU's, exclusive Topaz CRYSTALINE™ ember bed and slate brick panels, Napoleon's Plazmafire™ is a great addition to our modern fireplace collection and to any room in your home.

WHD31

20,000 BTU's

Convex Surround: 48 3/8"w x 29 1/2"h

Rectangular Surround: 43 5/8"w x 28"h

Natural gas or propane

For more detailed specifications on this unit, see page 35

## Options & Accessories



Alternate Glass Media Kits & Glass Enhancement Kits  
Six Colors Available



LED Light Kit  
Two Lights Included



F45 & F60 Remote Controls  
On/off or modulating



Brushed Stainless Steel Convex Surround



Stainless Steel Rectangular Surround



Painted Black Rectangular Surround







The Plazmafire™ 31 shown with brushed stainless steel convex surround



Slate Brick Panel  
(standard)



Complete with  
Safety Barrier



# Crystallo™

It's Crystal Clear...

A clean face design with an exclusive CRYSTALINE™ ember bed embraces Napoleon's new collection of modern fireplaces. The Crystallo™ provides inspiration to create a hearth experience that focuses on warmth, beauty and style. The Crystallo™ comes standard with MIRRO-FLAME™ Porcelain Reflective Radiant Panels and a multi-function LED spectrum light strip. The LED light strip transitions through the entire RGB colour range or can be set to any colour (including white) that suits your décor and act as an exclusive NIGHT LIGHT™. A unique hearth idea that sparkles with modern elegance!

BGD36CFG

Up to 17,000 BTU's

40% flame/heat adjustment

42" w x 38" h

Natural gas or propane

LOW ENERGY  
**LED**  
 TECHNOLOGY

For more detailed specifications on this unit, see page 35



Diamond Dust Convex Surround

## Options & Accessories



Glass Media Enhancement Kits  
 Five Colors Available



Satin Chrome Lower Trim

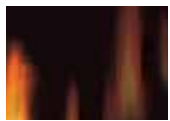


F45 & F60 Remote Controls  
 On/off or modulating





The Crystallo™ shown with convex surround in diamond dust pewter finish and LED lights set on blue



MIRRO-FLAME  
Porcelain Reflective  
Radiant Panels  
(standard)



Complete with  
Safety Barrier



LED Spectrum Light Strip  
The LED lights transition through an array of colours based on an RGB colour spectrum  
(sample of the multitude of colours, the entire bed will be the same colour)



# Outstanding Features

of Napoleon's Advanced Technology



## Advanced Burner Technology

Napoleon's sophisticated burner system offers superior flame technology. Strategically placed burner ports create the most realistic YELLOW DANCING FLAMES® in the industry.

## Finely Tuned Precision Valves

Surrounded with a protective cast aluminum jacket, the precision valves allow for ultimate reliability and 100% SAFE GUARD® gas control system.

## Minimum 30% savings on **ZONE Heating!** heating costs with Zone Heating

Zone Heating means you are heating the rooms that you use the most with an alternate heat source, like a Napoleon® heater rated gas fireplace. Zone Heating is the obvious solution for families concerned about rising fuel costs.

## Outstanding Craftsmanship

Fine details are designed in every aspect of Napoleon® fireplaces... individually handcrafted with pride of excellence to last a lifetime.

## Safety Screens

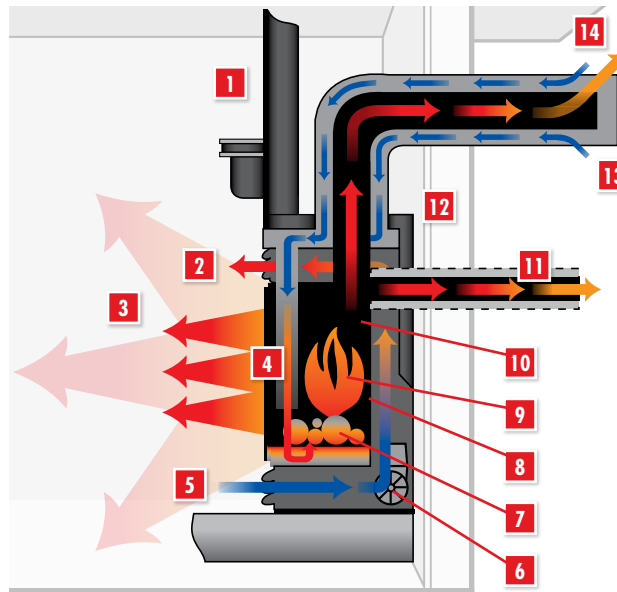
Napoleon®, leaders in design & technology have developed safety screens with aesthetically pleasing designs for every gas appliance to ensure ultimate safety and peace of mind for your family.

# Outstanding Features

## of Napoleon's Direct Vent Technology

### Direct Vent System

1. Zero clearance to combustible framing\*
2. Forced convection heated room air
3. Radiant heat
4. High Heat Ceramic or Tempered Glass increases the radiant heat that is dispersed throughout the room. Save up to 30% on energy costs with radiant heat and Zone Heating
5. Cool room air is naturally drawn through the lower opening, circulates around the firebox, and expels into the living space as warm air
6. Optional air circulating variable speed blower with high temperature bearings increases efficient heating
7. Advanced ceramic burner system (selected models)
8. MIRRO-FLAME® Porcelain Reflective Radiant Panels further increase radiant heat (optional on most models)
9. Advanced burner technology produces the most realistic flames in the industry
10. Sealed combustion chamber
11. Optional rear exhaust (selected models)



12. Efficient heat exchange system
13. Combustion air inlet
14. Flue gas outlet

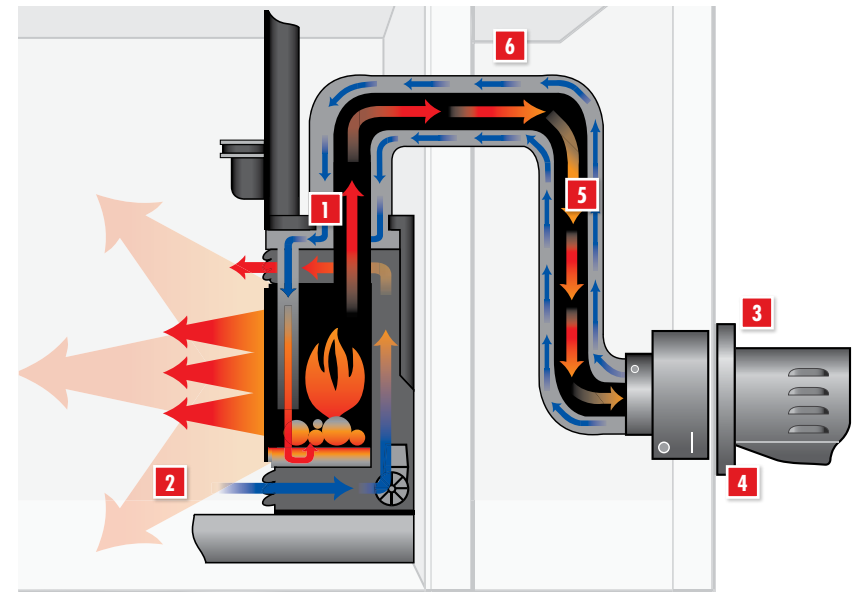
With over 35 years of research and development, Napoleon® has perfected direct vent technology to offer you a fireplace, stove or insert that easily fits into your lifestyle.

With Napoleon's direct vent technology, you can design and install your fireplace in unique locations where it wasn't possible before with traditional masonry fireplaces. Even your basement can be transformed into a warm, inviting oasis for your family and friends to enjoy.

Whether you are renovating, building or replacing an inefficient fireplace product, Napoleon® helps guide you in the right direction to find the product that's right for you and your home. Napoleon® Fireplaces are a smart investment that will bring many years of affordable luxury to you and your family.

\*See installation manual for details

### Direct Vent Power Venting System



1. Suitable for exhaust products with various vent diameters
2. Installation friendly maintenance free durable construction
3. Blower mounted outside at terminal with WHISPER QUIET® operation inside
4. Terminates above or below the fireplace to allow more freedom and versatility for direct vent installations
5. No hoses to terminal
6. Ability to "snake" either up, down or around objects (ie; behind stairways)

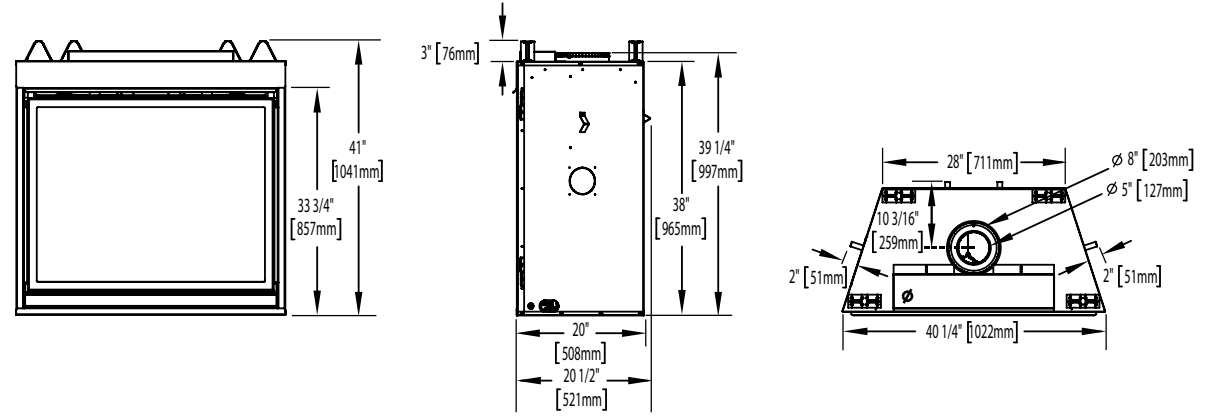
Napoleon's power venting system allows more freedom and versatility for direct vent installations. The option of having the termination above or below the fireplace, along with the ability to "snake" either up or down, allows installation when the desired fireplace location is a great distance away from an outside wall. The blower that pulls the burned gases from the fireplace is mounted outside at the terminal which provides WHISPER QUIET® operation inside the home.

### Available for Select Models

## STARfire™ 40

Shown on pages 4 & 5

\*Fronts/Surrounds may change unit dimensions



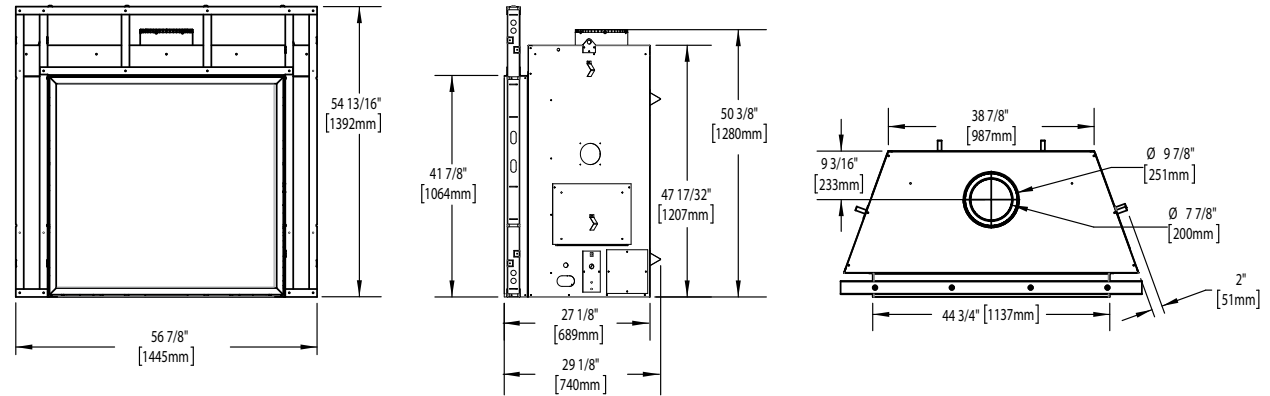
Model	BTU's (Input)		Venting	Height		Front Width		Depth		Glass Type	Glass Size		Glass Area (sq. in.)	Efficiencies			Blower	Mobile Home Certified	Electronic Ignition
	Natural Gas	Propane		Actual	Framing	Actual	Framing	Actual	Framing		Height	Width		EnerGuide	AFUE	Steady State			
HDX40-1	40,000	36,000	Top	41"	41 1/4"	40 1/4"	40 3/4"	20 1/2"	20 1/4"	Ceramic	28"	36"	1008	56.6%	59.5%	61.5%	Optional	Yes	Yes

Certified under Canadian and American National Standards.

## STARfire™ 52

Shown on pages 6 & 7

\*Fronts/Surrounds may change unit dimensions



Model	BTU's (Input)		Venting	Height		Front Width		Depth		Glass Type	Glass Size		Glass Area (sq. in.)	Efficiencies			Blower	Mobile Home Certified	Electronic Ignition
	Natural Gas	Propane		Actual	Framing	Actual	Framing	Actual	Framing		Height	Width		EnerGuide	AFUE	Steady State			
HDX52	55,000	55,000	Top	54 13/16"	55 1/4"	56 7/8"	57 3/8"	29 1/8"	29 3/8"	Ceramic	37 1/2"	41 3/4"	1566	65.2%	-	53.6%	Optional	Yes	Yes

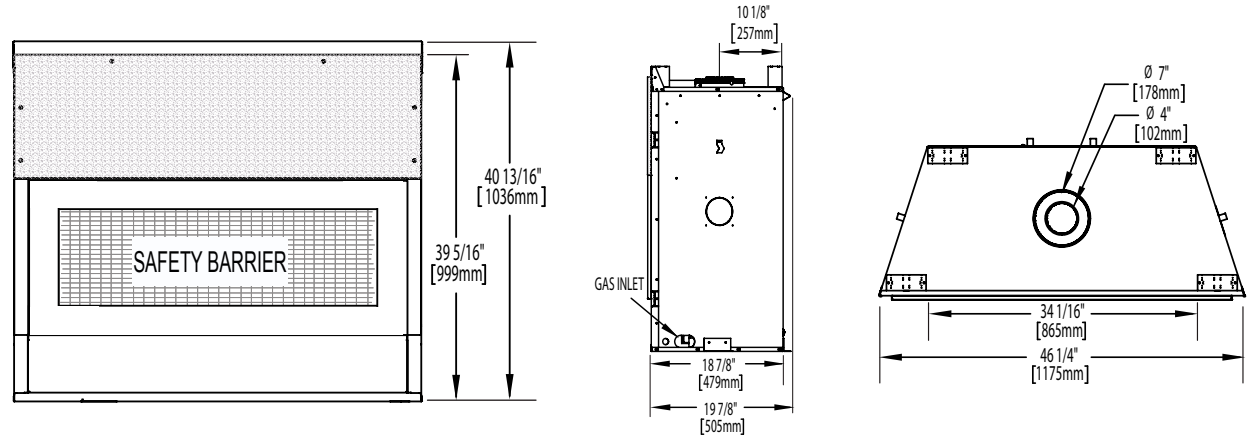
Certified under Canadian and American National Standards.

Figures may vary with individual conditions such as floor plan layout, insulation value/heat loss of the house and geographical location. Measurements to be used as a guide only. Consult your owner's manual for complete and up-to-date installation instructions and proper clearances to combustible materials.

## Vector™ 45 - LHD45

Shown on pages 8 & 9

\*Fronts/Surrounds may change unit dimensions



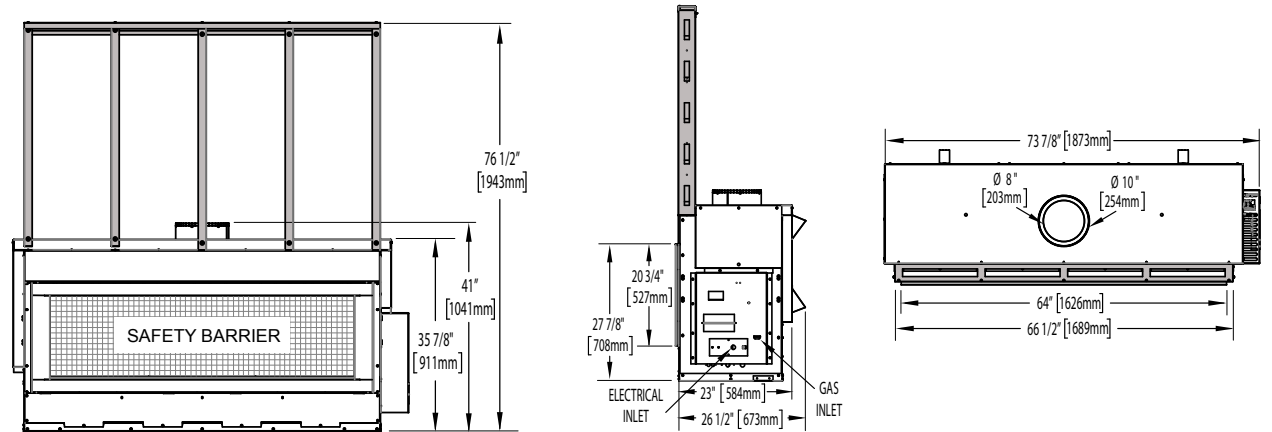
Model	BTU's (Input)		Venting	Height		Front Width		Depth		Glass Type	Glass Size		Glass Area (sq. in.)	Efficiencies			Blower	Mobile Home Certified	Electronic Ignition
	Natural Gas	Propane		Actual	Framing	Actual	Framing	Actual	Framing		Height	Width		EnerGuide	AFUE	Steady State			
LHD45	24,000	24,000	Top	40 13/16"	41 1/4"	46 1/4"	46 3/4"	19 7/8"	20 1/8"	Tempered	17 13/16"	40 7/8"	728	52%	-	72%	Optional	Yes	Yes

Certified under Canadian and American National Standards.

## Vector™ 62 - LHD62

Shown on pages 10 & 11

\*Fronts/Surrounds may change unit dimensions



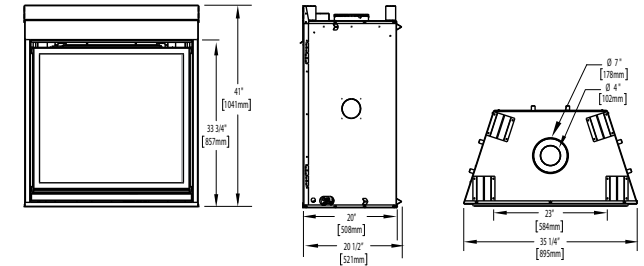
Model	BTU's (Input)		Venting	Height		Front Width		Depth		Glass Type	Glass Size		Glass Area (sq. in.)	Efficiencies			Blower	Mobile Home Certified	Electronic Ignition
	Natural Gas	Propane		Actual	Framing	Actual	Framing	Actual	Framing		Height	Width		EnerGuide	AFUE	Steady State			
LHD62	50,000	50,000	Top	76 1/2"	96"	66 1/2"	81"	26 1/2"	27"	Ceramic	18 1/2"	61 5/8"	1141	55.3%	-	62%	N/A	Yes	Yes

Certified under Canadian and American National Standards.

## High Definition 35

Shown on pages 12 - 13

\*Fronts/Surrounds may change unit dimensions



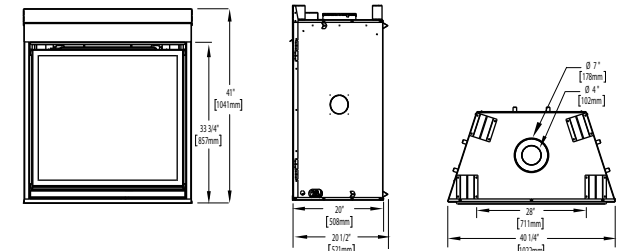
Model	BTU's (Input)		Venting	Height		Front Width		Depth		Glass Type	Glass Size		Glass Area (sq. in.)	Efficiencies			Blower	Mobile Home Certified	Electronic Ignition
	Natural Gas	Propane		Actual	Framing	Actual	Framing	Actual	Framing		Height	Width		EnerGuide	AFUE	Steady State			
HD35	25,000	25,000	Top	41"	41 1/4"	35 1/4"	35 3/4"	20 1/2"	20 1/4"	Tempered	28 1/8"	31 1/4"	879	63.3%	64.4%	82.1%	Optional	Yes	Yes

Certified under Canadian and American National Standards.

## High Definition 40

Shown on pages 12 & 13

\*Fronts/Surrounds may change unit dimensions



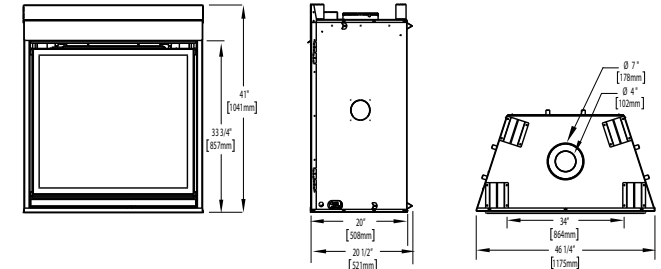
Model	BTU's (Input)		Venting	Height		Front Width		Depth		Glass Type	Glass Size		Glass Area (sq. in.)	Efficiencies			Blower	Mobile Home Certified	Electronic Ignition
	Natural Gas	Propane		Actual	Framing	Actual	Framing	Actual	Framing		Height	Width		EnerGuide	AFUE	Steady State			
HD40	27,000	27,000	Top	41"	41 1/4"	40 1/4"	40 3/4"	20 1/2"	20 1/4"	Tempered	28"	36"	1008	64.3%	65.6%	76.3%	Optional	Yes	Yes

Certified under Canadian and American National Standards.

## High Definition 46

Shown on pages 12 & 13

\*Fronts/Surrounds may change unit dimensions



Model	BTU's (Input)		Venting	Height		Front Width		Depth		Glass Type	Glass Size		Glass Area (sq. in.)	Efficiencies			Blower	Mobile Home Certified	Electronic Ignition
	Natural Gas	Propane		Actual	Framing	Actual	Framing	Actual	Framing		Height	Width		EnerGuide	AFUE	Steady State			
HD46	30,000	30,000	Top	41"	41 1/4"	46 1/4"	46 3/4"	20 1/2"	20 1/4"	Tempered	28"	42"	1176	65.1%	67.7%	79.2%	Optional	Yes	Yes

Certified under Canadian and American National Standards.

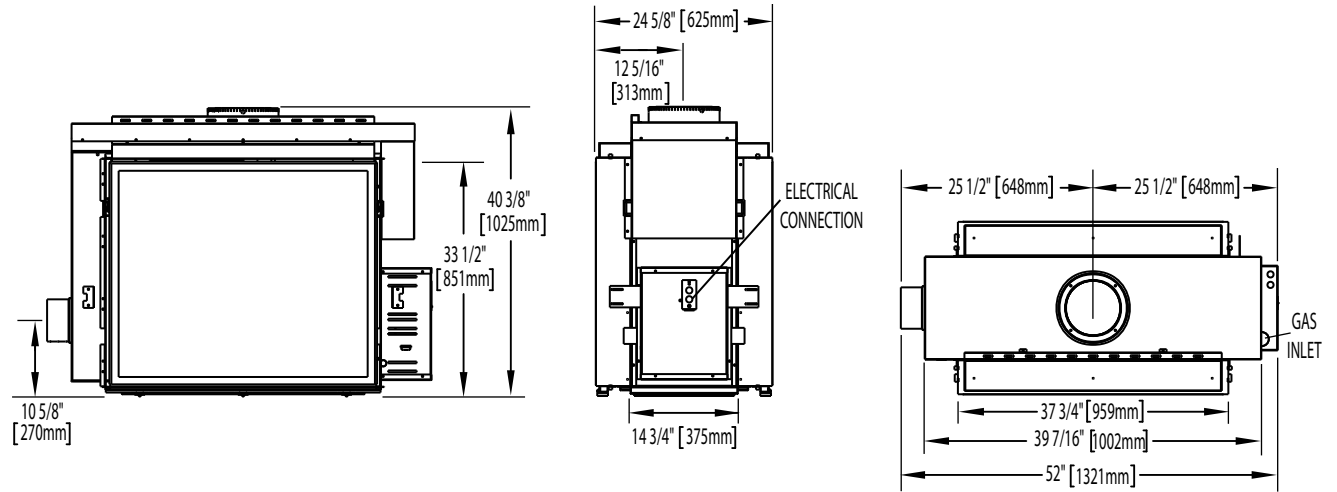
Figures may vary with individual conditions such as floor plan layout, insulation value/heat loss of the house and geographical location. Measurements to be used as a guide only. Consult your owner's manual for complete and up-to-date installation instructions and proper clearances to combustible materials.



## High Definition 81

Shown on pages 14 & 15

\*Fronts/Surrounds may change unit dimensions



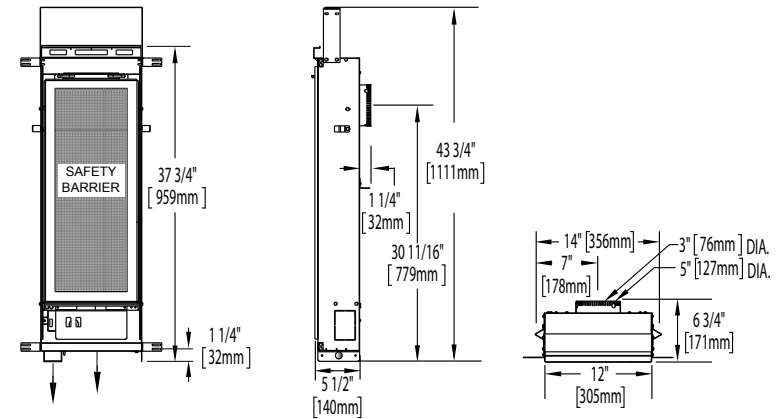
Model	BTU's (Input)		Venting	Height		Front Width		Depth		Glass Type	Glass Size		Glass Area (sq. in.)	Efficiencies			Blower	Mobile Home Certified	Electronic Ignition
	Natural Gas	Propane		Actual	Framing	Actual	Framing	Actual	Framing		Height	Width		EnerGuide	AFUE	Steady State			
HD81	60,000	50,000	Top	40 3/8"	49 1/4"	52"	54 3/4"	24 5/8"	23 5/8"	Ceramic	30 3/4"	36 3/4"	2260	65%	68 %	67%	Optional	Yes	Yes

Certified under Canadian and American National Standards.

## Torch™

Shown on pages 16 & 17

\*Fronts/Surrounds may change unit dimensions



Model	BTU's (Input)		Venting	Height		Front Width		Depth		Glass Type	Glass Size		Glass Area (sq. in.)	Efficiencies			Blower	Mobile Home Certified	Electronic Ignition
	Natural Gas	Propane		Actual	Framing	Actual	Framing	Actual	Framing		Height	Width		EnerGuide	AFUE	Steady State			
GT8	6,000	6,000	Rear	43 3/4"	44 1/4"	12"	14 1/2"	6 3/4"	7"	Ceramic	26"	10 1/2"	273	58%	-	78%	N/A	Yes	Yes

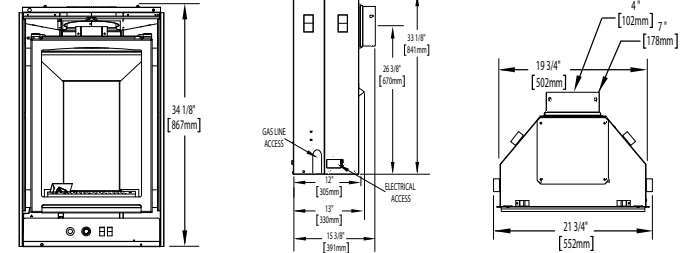
Certified under Canadian and American National Standards.

Figures may vary with individual conditions such as floor plan layout, insulation value/heat loss of the house and geographical location. Measurements to be used as a guide only. Consult your owner's manual for complete and up-to-date installation instructions and proper clearances to combustible materials.

## Vittoria™

Shown on pages 18 & 19

\*Fronts/Surrounds may change unit dimensions



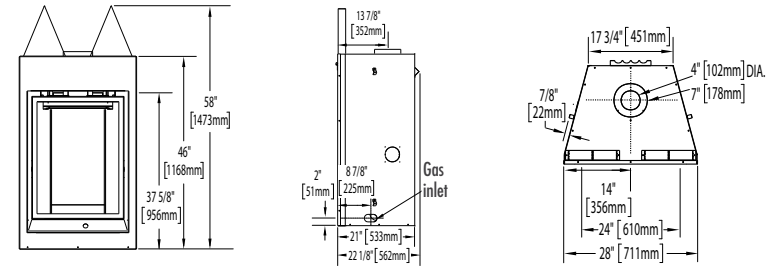
Model	BTU's (Input)		Venting	Height		Front Width		Depth		Glass Type	Glass Size		Glass Area (sq. in.)	Efficiencies			Blower	Mobile Home Certified	Electronic Ignition
	Natural Gas	Propane		Actual	Framing	Actual	Framing	Actual	Framing		Height	Width		EnerGuide	AFUE	Steady State			
GD19	11,500	11,000	Top/Rear	34 1/8"	34 3/8"	21 3/4"	22 1/4"	13"	13 1/4"	Ceramic	24"	16 5/8"	399	55.9%	-	75%	Optional	Yes	Yes

Certified under Canadian and American National Standards. This product has a design registration. Wolf Steel Ltd ©

## Park Avenue™

Shown on pages 20 & 21

\*Fronts/Surrounds may change unit dimensions



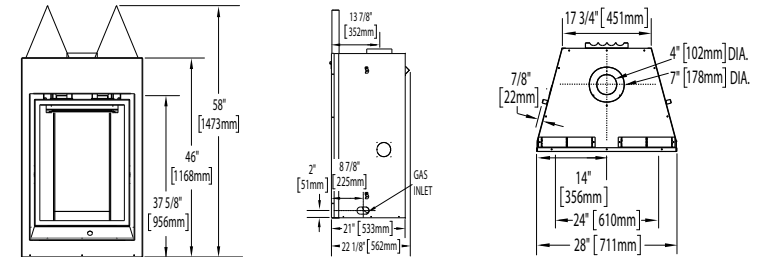
Model	BTU's (Input)		Venting	Height		Front Width		Depth		Glass Type	Glass Size		Glass Area (sq. in.)	Efficiencies			Blower	Mobile Home Certified	Electronic Ignition
	Natural Gas	Propane		Actual	Framing	Actual	Framing	Actual	Framing		Height	Width		EnerGuide	AFUE	Steady State			
GD82T-PAE	26,000	26,000	Top	58"	58 1/4"	28"	29"	22 1/8"	22 1/2"	Ceramic	29"	22"	638	54.4%	56%	62%	Standard	Yes	Yes

Certified under Canadian and American National Standards.

## Tureen™

Shown on pages 22 & 23

\*Fronts/Surrounds may change unit dimensions



Model	BTU's (Input)		Venting	Height		Front Width		Depth		Glass Type	Glass Size		Glass Area (sq. in.)	Efficiencies			Blower	Mobile Home Certified	Electronic Ignition
	Natural Gas	Propane		Actual	Framing	Actual	Framing	Actual	Framing		Height	Width		EnerGuide	AFUE	Steady State			
GD82T-TE	26,000	26,000	Top	58"	58 1/4"	28"	29"	22 1/8"	22 1/2"	Ceramic	29"	22"	638	54%	56%	62%	Included	Yes	Yes

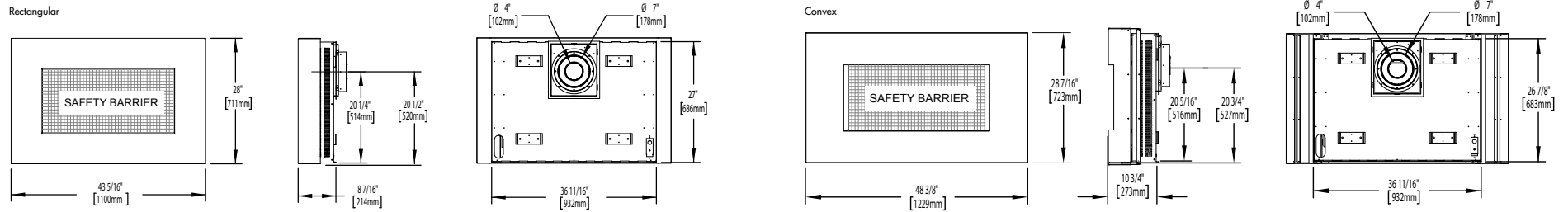
Certified under Canadian and American National Standards.

Figures may vary with individual conditions such as floor plan layout, insulation value/heat loss of the house and geographical location. Measurements to be used as a guide only. Consult your owner's manual for complete and up-to-date installation instructions and proper clearances to combustible materials.

## Plazmafire™ 31

Shown on pages 24 & 25

\*Fronts/Surrounds may change unit dimensions



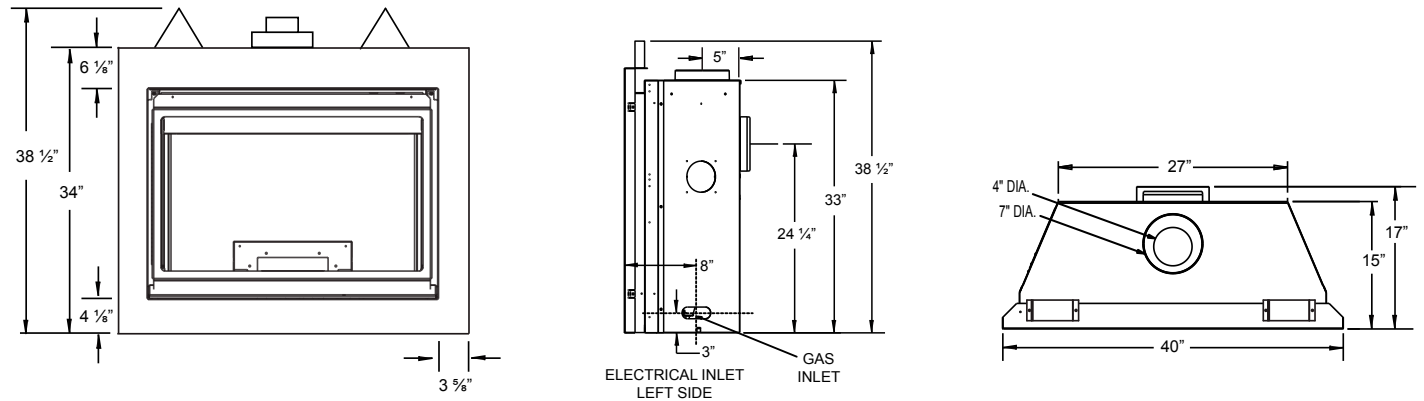
Model	BTU's (Input)		Venting	Height		Front Width		Depth		Glass Type	Glass Size		Glass Area (sq. in.)	Efficiencies			Blower	Mobile Home Certified	Electronic Ignition
	Natural Gas	Propane		Actual	Framing	Actual	Framing	Actual	Framing		Height	Width		EnerGuide	AFUE	Steady State			
WHD31 - Rectangular	20,000	16,000	Rear	28"	N/A*	43 5/16"	N/A*	8 7/16"	N/A*	Ceramic	16 1/2"	31 1/2"	520	65.2%	68.6%	68.9%	N/A	Yes	Yes
WHD31 - Convex	20,000	16,000	Rear	28 7/16"	N/A*	48 3/8"	N/A*	10 3/4"	N/A*	Ceramic	16 1/2"	31 1/2"	520	65.2%	68.6%	68.9%	N/A	Yes	Yes

Certified under Canadian and American National Standards.

## Crystallo™ - BGD36CFG

Shown on pages 26 - 27

\*Fronts/Surrounds may change unit dimensions



Model	BTU's (Input)		Venting	Height		Front Width		Depth		Glass Type	Glass Size		Viewing Area (sq. in.)	Efficiencies			Blower	Mobile Home Certified	Electronic Ignition
	Natural Gas	Propane		Actual	Framing	Actual	Framing	Actual	Framing		Height	Width		EnerGuide	AFUE	Steady State			
Crystallo™	17,000	17,000	Top/Rear	38 1/2"	38 3/4"	40"	40 1/2"	17"	17 1/4"	Tempered	19"	31 1/4"	592	59.4%	53%	64%	Optional	Yes	Yes

Certified under Canadian and American National Standards.

Figures may vary with individual conditions such as floor plan layout, insulation value/heat loss of the house and geographical location. Measurements to be used as a guide only. Consult your owner's manual for complete and up-to-date installation instructions and proper clearances to combustible materials.

Other Napoleon Products

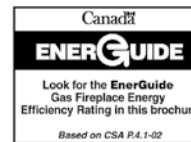


Fireplace Inserts • Charcoal Grills • Gas Fireplaces • Mantels • Wood Stoves  
 Hybrid Furnaces • Electric Fireplaces • Heating & Cooling • Gas Grills



24 Napoleon Road, Barrie, Ontario, Canada L4M 0G8  
 103 Miller Drive, Crittenden, Kentucky, USA 41030  
 7200 Trans Canada Highway, Montreal, Quebec, Canada H4T 1A3

Tel: 705-721-1212 Fax: 705-722-6031  
[napoleonfireplaces.com](http://napoleonfireplaces.com)



Authorized Dealer

Consult your owner's manual for complete installation instructions and proper clearances to combustible materials. Check all local and national building codes and gas regulations. All specifications are subject to change without prior notice due to on-going product improvements. Products may not be exactly as shown. Flame height and activity is influenced by varying vent configurations and may not appear as shown. Napoleon® is a registered trademark of Wolf Steel Ltd. © Wolf Steel Ltd. EnerGuide - A Canadian efficiency standard based on frequent, short start-up and cool-down cycles. All appliances sold in Canada are subject to this EnerGuide rating system. AFUE - A US efficiency standard (Department of Energy) based on extended on/off cycles, more typical of fireplace usage. Steady State - Reflects the highest possible overall heating efficiency. Product images may vary due to safety barrier regulations coming into effect January 2015.